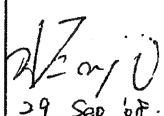



SPECIFICATIONS

Model	RHE-12	RHE-24	
Rated voltage	12V DC	24V DC	
Operating voltage	10.8V~13.2V DC	21.6V~26.4V DC	
Current consumption	0.25A or less	0.16A or less	
Power consumption	3.0W or less	4.0W or less	
Flashing cycle	120 ±25 Flashes Per Minute		
Operating temperature range	-10 °C ~ +50 °C		
Water proof	IP23 (IP55: with the rubber gasket SZ-200A)		
Vibration proof	Acceleration 70 m/s ² Frequency range 33Hz		
Insulation resistance	To be measured with an insulation measuring device of 500VDC between the terminals and the chassis. MORE THAN 1MΩ		
Dielectric Voltage-Withstand	500VAC being applied between the terminals and the chassis. NOT BREAKING INSULATION		
Luminous Intensity	Red: 3000cd or more		
	Yellow: 2500cd or more		
	Green: 2000cd or more		
	Blue: 600cd or more		
Mass	0.4 kg (±10%)		
Mounting place	Indoor : Upright, Reverse & Sideways Outdoor: Upright only		
No.RHE-24-A18A-1_2			
<p>[Notes]</p> <ul style="list-style-type: none"> • This product confirms to the CE requirements and CE Marking is indicated. • This product complies with the RoHS Directive(DIRECTIVE 2002/95/EC) 			
<div style="border: 1px solid black; padding: 5px; display: inline-block;">for reference</div>			
PATLITE Corporation	App. by	Chk. by	Drn. by
	 <small>29 Sep '08</small>		T.Okutani 26.Sep.'08

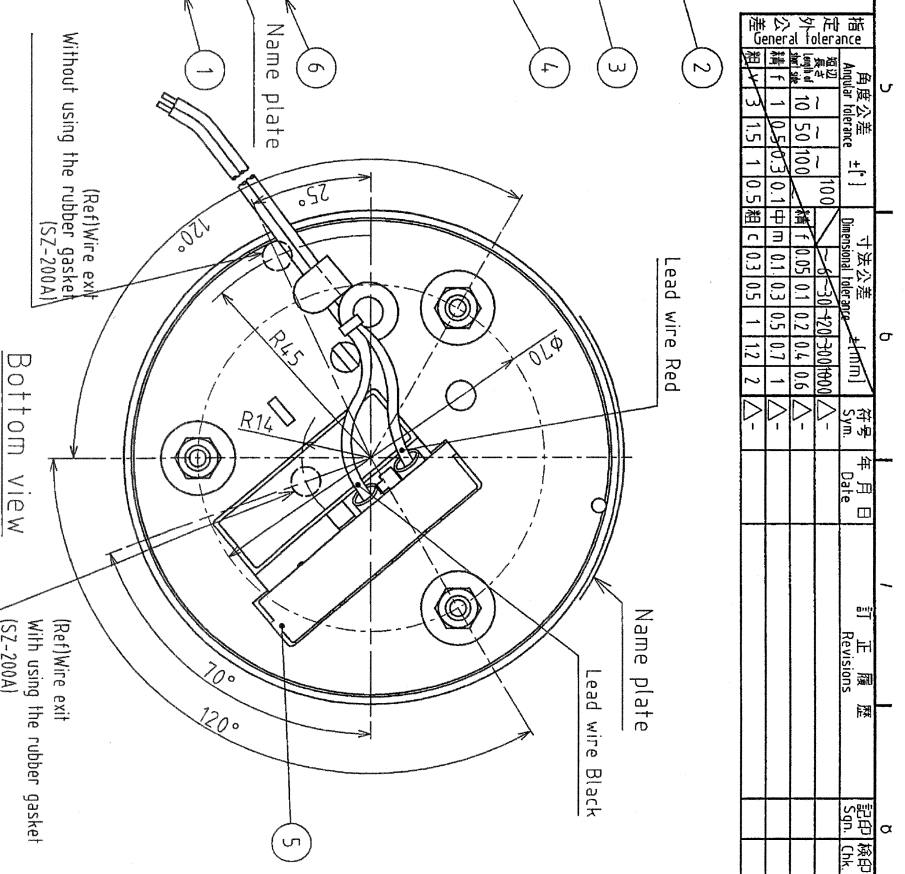
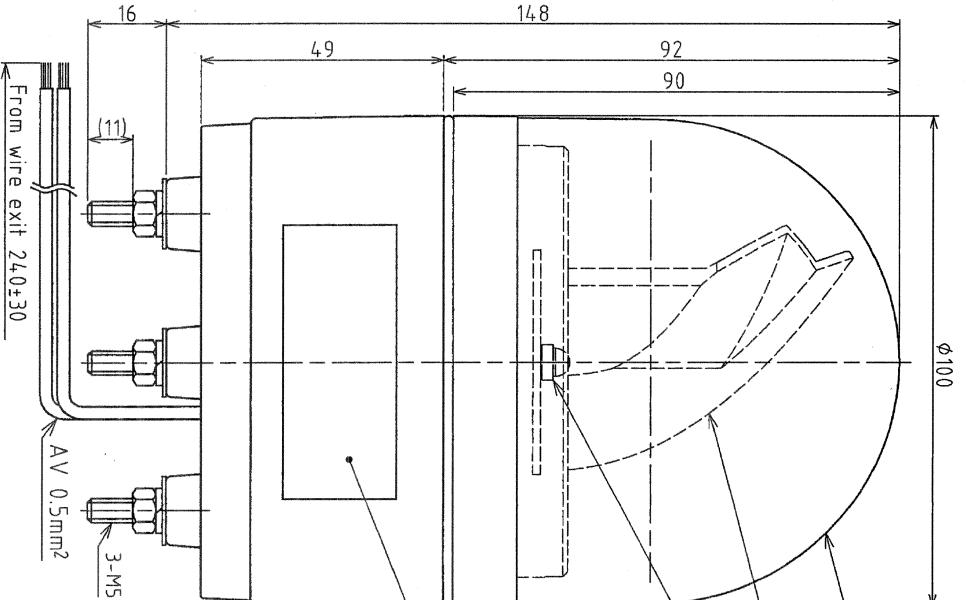
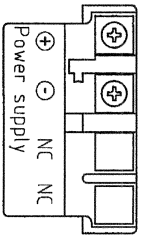
Model No. configuration

RHE-□□-□□

Rated voltage
12:12VDC
24:24VDC

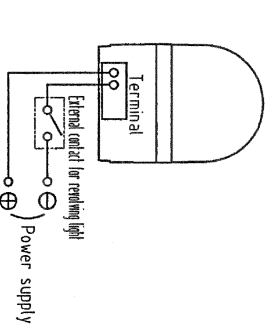
Color
R:Red
Y:Amber
G:Green
B:Blue

Terminal view



[Notes]
1)When using the product with the optional rubber gasket SZ-200A, install the product on the flat surface to keep the waterproof IP55.

for reference



指定公差 Dimensional tolerance	角度公差 Angular tolerance	寸法公差 Dimensional tolerance	符号 Symbol	年月日 Date	訂正履歴 Revisions	記号 Sign.	検印 Chk.
±1	±1	±0.1	△				
±0.05	±0.05	±0.05	△				
±0.1	±0.1	±0.1	△				
±0.2	±0.2	±0.2	△				
±0.3	±0.3	±0.3	△				
±0.5	±0.5	±0.5	△				
±1.0	±1.0	±1.0	△				
±1.5	±1.5	±1.5	△				

No.	部品名 Part Name	品目コード Part No.	数量 Qty.	材料 & 寸法 & 処理 Material & Size & Finish	記号 Remarks
1	Body	-	1	ABS	Light gray
2	Dome	-	1	PC	Red, Amber, Green, Blue
3	Reflector	-	1	PC/Aluminum coating	
4	LED P.C.B. assembly	-	1		
5	Terminal cover	-	1	PC	Clear
6	O-ring	-	1	SI	

項目 Item	内容 Content
設計者 Designed by	Alkeda I. Okutani
承認者 Checked by	
承認日 Appr. Date	1 Feb. 07/29 Sep. 08
縮尺 Scale	1:1
単位 Unit	mm
角 Angle	3rd
製法 Fabrication	株式会社 パルテック PALUTEC Corporation
図番 Drawing No.	RHE-24-A18A-2_2

1 2 3 4 5 6 7 8

S P E C I F I C A T I O N S

Model	RHEB-12	RHEB-24	
Rated voltage	12V DC	24V DC	
Operating voltage	10. 8V~13. 2V DC	21. 6V~26. 4V DC	
Current consumption	Buzzer off	0.25A or less	0.16A or less
	Buzzer on	0.28A or less	0.19A or less
Power consumption	3.5W or less	4.8W or less	
Flashing cycle	120 ±25 Flashes Per Minute		
Operating temperature range	-10°C ~ +50°C		
Protection rating	IP23 (IP55: with the rubber gasket SZ-200A)		
Vibration proof	Acceleration 70m/s ² Frequency range 30Hz		
Insulation resistance	To be measured with an insulation measuring device of 500VDC between the terminals and the chassis. MORE THAN 1MΩ		
Dielectric Voltage	500V AC (50~60Hz) being applied between the terminals and the chassis for 1 minute. NOT BREAKING INSULATION		
Luminous Intensity	Red	: 3000cd or more	
	Yellow	: 2500cd or more	
	Green	: 2000cd or more	
	Blue	: 600cd or more	
Mass	0.4kg (±10%)		
Mounting place	Indoor : Upright, Reverse & Sideways Outdoor: Upright only		
Buzzer sound pressure	Typ. 88dB (Min. 83dB) (at 1m / A weighted sound pressure level/ Measures in anechoic room of our company) The volume cannot be adjusted.		
No.RHEB-24-A18A-1 2			
[Notes]			
<ul style="list-style-type: none"> • This product confirms to the CE requirements and CE Marking is indicated. • This product complies with the RoHS Directive(DIRECTIVE 2002/95/EC). 			
for reference			
PATLITE Corporation	App. by	Chk. by	Drn. by
	<i>[Signature]</i> 28 Oct '08	<i>J. Motochita</i> 28. Oct. '08	K.Nakai 8.Oct.'08

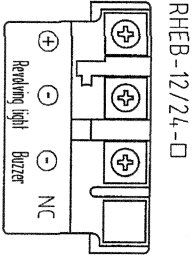
Model No. configuration

RHEB-□-□

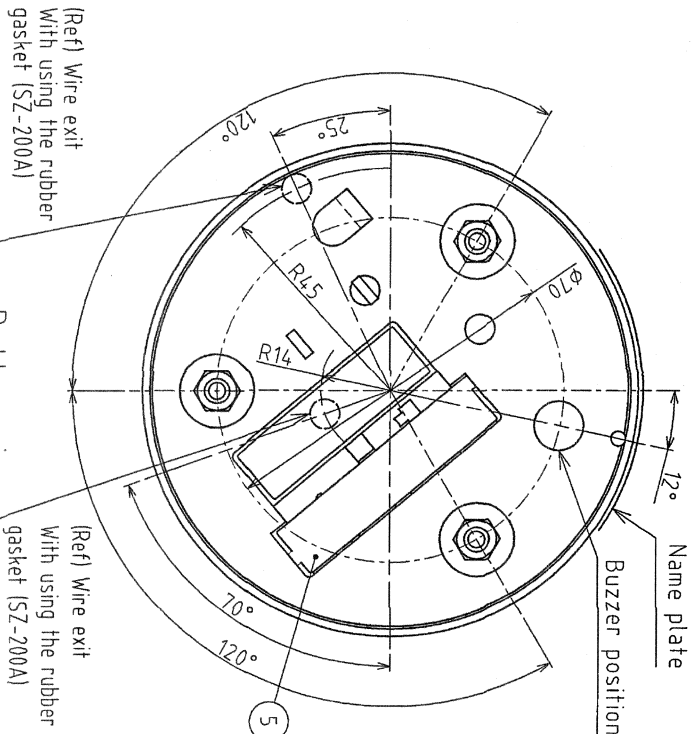
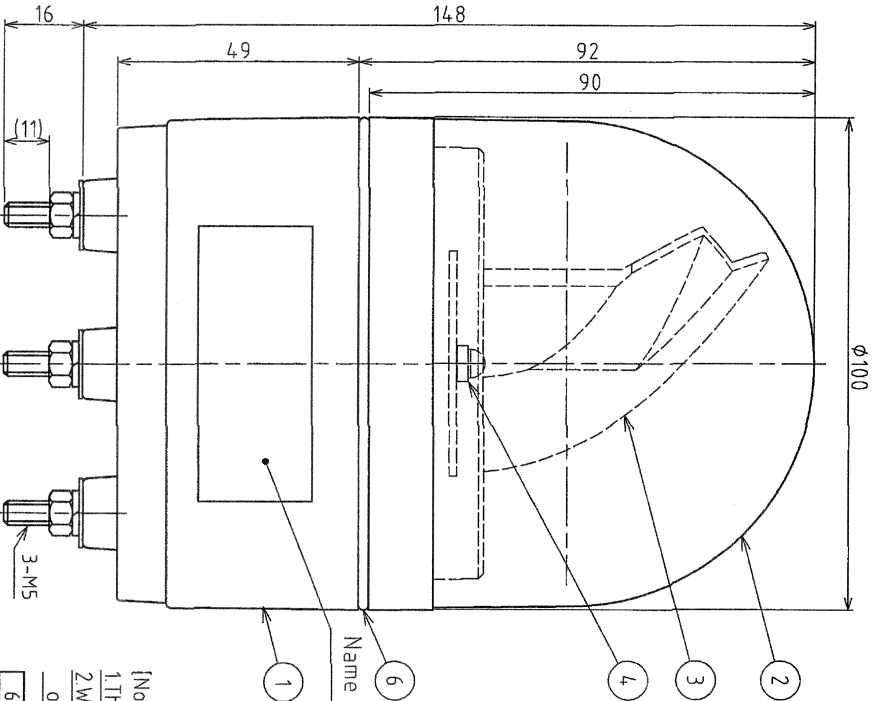
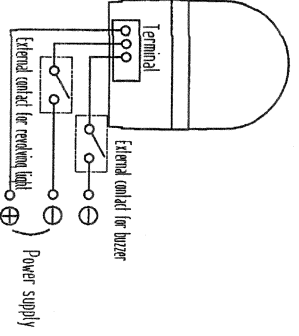
Rated voltage
 12: 12V DC
 24: 24V DC

Color
 R:Red
 Y:Amber
 G:Green
 B:Blue

Terminal view



Wiring example



[Notes]

- 1.The power cord is not included in this product.
- 2.When using the product with the optional rubber gasket SZ-200A, install the product on the flat surface to keep the waterproof IP55.

for reference

No.	部品名	品目コード	数量	材料及寸法 & 処理	Material & Size & Finish	記事
1	本体	-	1	ABS	Light gray	
2	反射器	-	1	PC	Red, Amber, Green, Blue	
3	反射器	-	1	PC / Aluminum coating		
4	LED P.C.B. assembly	-	1	PC	Clear	
5	Terminal cover	-	1	PC		
6	O-ring	-	1	SI		

指定	公差	寸法公差	符号	年月日	訂正履歴	記号
角度公差	±1°	±0.1mm	Sym.	Date	Revisions	5印
Dimensional tolerance	±0.1	±0.1	Sym.	Date	Revisions	5印
公差	±1	±0.1	Sym.	Date	Revisions	5印
公差	±1	±0.1	Sym.	Date	Revisions	5印
公差	±1	±0.1	Sym.	Date	Revisions	5印
公差	±1	±0.1	Sym.	Date	Revisions	5印

設計者	承認者	品名	規格名	Model	特注No.	S.P.No.
Alkeda K.Nakaya		Demensions		RHEB-12/24		
20 Dec. 09 27 Oct. 08 28 Oct. 08 28 Oct. 08						
三角法	単位	尺規	縮尺	株式会社 PATITE Corporation	図番	Drawing No.
mm	mm	mm	1:1			RHEB-24-A18A-2_2